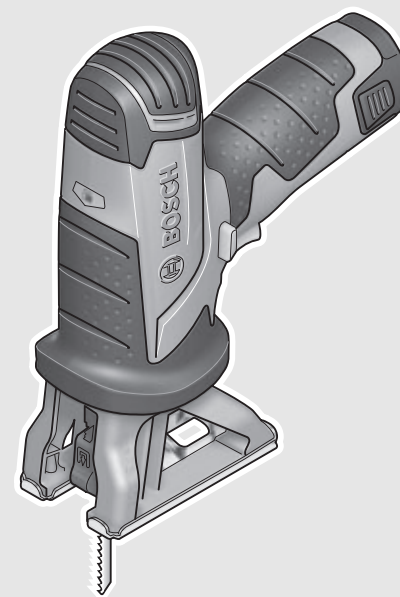


**WEU**

**WEU**



**Robert Bosch GmbH**  
Power Tools Division  
70745 Leinfelden-Echterdingen  
Germany

[www.bosch-pt.com](http://www.bosch-pt.com)

2 609 006 848 (2013.04) T / 80 WEU



2 609 006 848

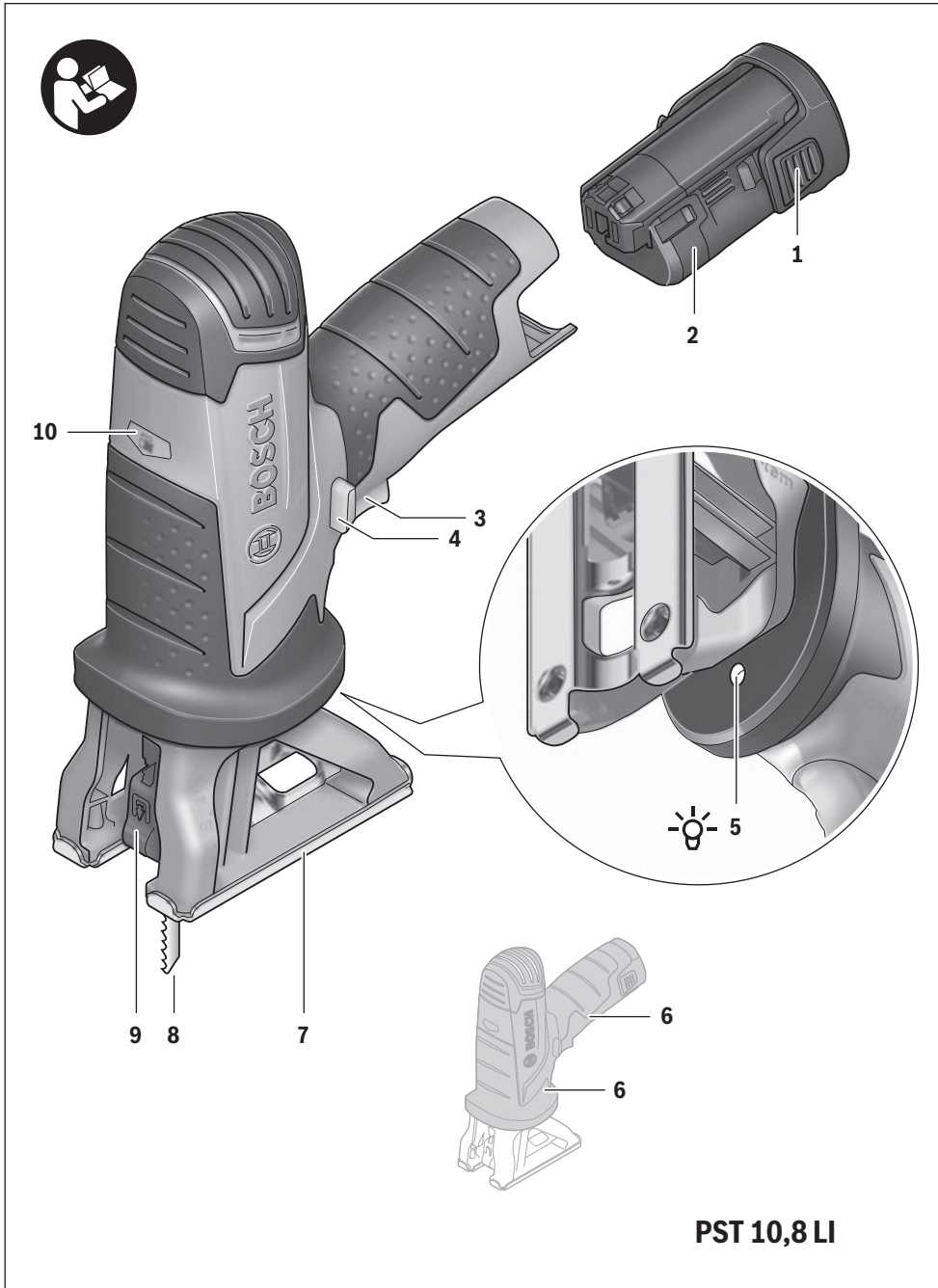
**PST 10,8 LI**

 **BOSCH**

**de** Originalbetriebsanleitung  
**en** Original instructions  
**fr** Notice originale  
**es** Manual original  
**pt** Manual original  
**it** Istruzioni originali  
**nl** Oorspronkelijke gebruiksaanwijzing

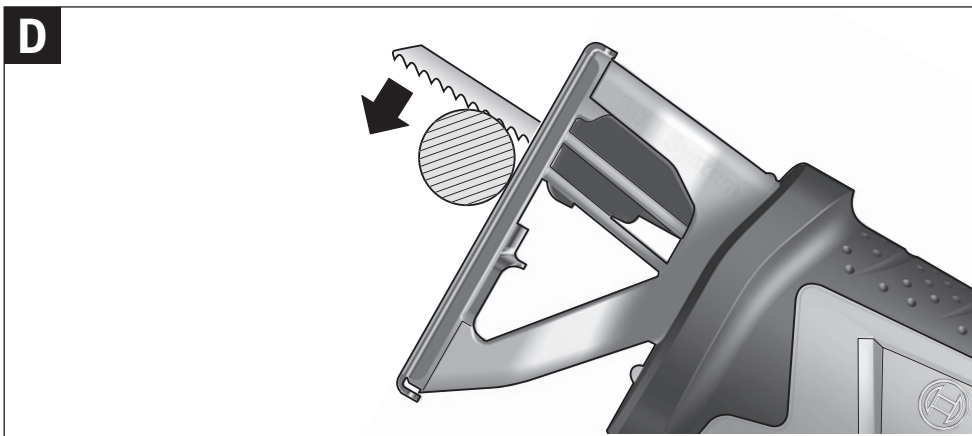
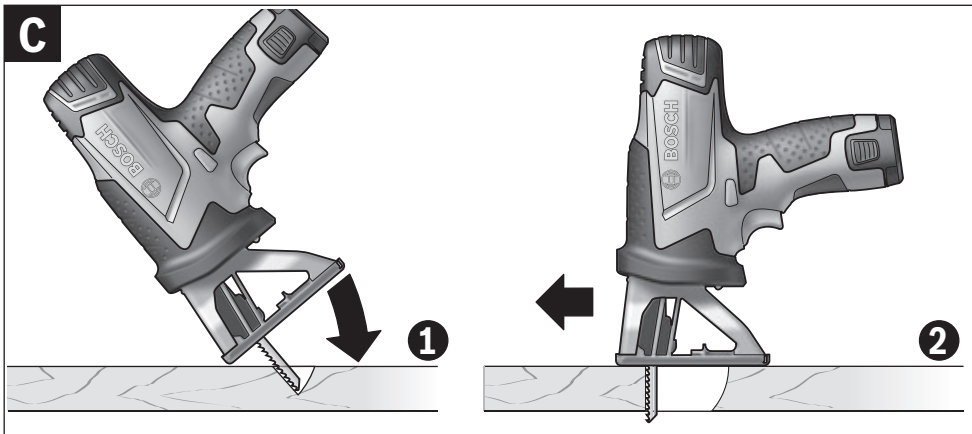
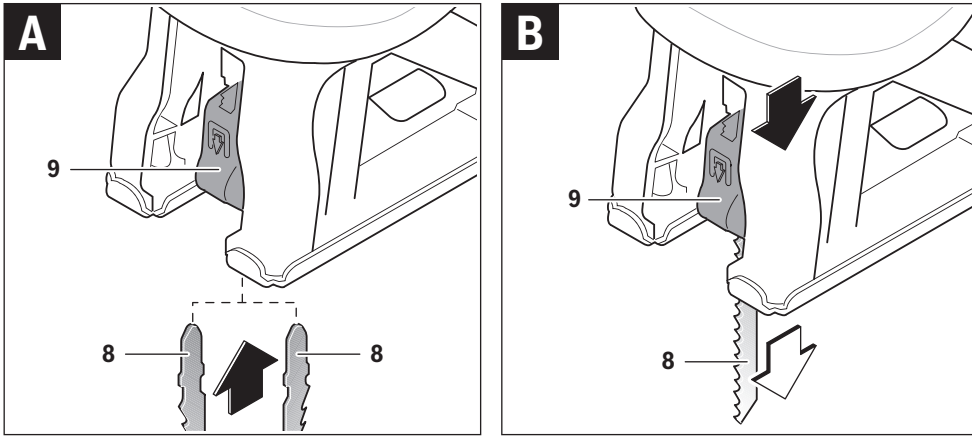
**da** Original brugsanvisning  
**sv** Bruksanvisning i original  
**no** Original driftsinstruks  
**fi** Alkuperäiset ohjeet  
**el** Πρωτότυπο οδηγιών χρήσης  
**tr** Orijinal işletme talimatı





**PST 10,8 LI**

4 |



## English

### Safety Notes

#### General Power Tool Safety Warnings

**⚠ WARNING** Read all safety warnings and all instructions. Failure to follow the warnings and instructions may result in electric shock, fire and/or serious injury.

#### Save all warnings and instructions for future reference.

The term "power tool" in the warnings refers to your mains-operated (corded) power tool or battery-operated (cordless) power tool.

#### Work area safety

- ▶ **Keep work area clean and well lit.** Cluttered or dark areas invite accidents.
- ▶ **Do not operate power tools in explosive atmospheres, such as in the presence of flammable liquids, gases or dust.** Power tools create sparks which may ignite the dust or fumes.
- ▶ **Keep children and bystanders away while operating a power tool.** Distractions can cause you to lose control.

#### Electrical safety

- ▶ **Power tool plugs must match the outlet. Never modify the plug in any way. Do not use any adapter plugs with earthed (grounded) power tools.** Unmodified plugs and matching outlets will reduce risk of electric shock.
- ▶ **Avoid body contact with earthed or grounded surfaces, such as pipes, radiators, ranges and refrigerators.** There is an increased risk of electric shock if your body is earthed or grounded.
- ▶ **Do not expose power tools to rain or wet conditions.** Water entering a power tool will increase the risk of electric shock.
- ▶ **Do not abuse the cord. Never use the cord for carrying, pulling or unplugging the power tool. Keep cord away from heat, oil, sharp edges and moving parts.** Damaged or entangled cords increase the risk of electric shock.
- ▶ **When operating a power tool outdoors, use an extension cord suitable for outdoor use.** Use of a cord suitable for outdoor use reduces the risk of electric shock.
- ▶ **If operating a power tool in a damp location is unavoidable, use a residual current device (RCD) protected supply.** Use of an RCD reduces the risk of electric shock.

#### Personal safety

- ▶ **Stay alert, watch what you are doing and use common sense when operating a power tool. Do not use a power tool while you are tired or under the influence of drugs, alcohol or medication.** A moment of inattention while operating power tools may result in serious personal injury.
- ▶ **Use personal protective equipment. Always wear eye protection.** Protective equipment such as dust mask, non-skid safety shoes, hard hat, or hearing protection used for appropriate conditions will reduce personal injuries.

- ▶ **Prevent unintentional starting. Ensure the switch is in the off-position before connecting to power source and/or battery pack, picking up or carrying the tool.** Carrying power tools with your finger on the switch or energising power tools that have the switch on invites accidents.
- ▶ **Remove any adjusting key or wrench before turning the power tool on.** A wrench or a key left attached to a rotating part of the power tool may result in personal injury.
- ▶ **Do not overreach. Keep proper footing and balance at all times.** This enables better control of the power tool in unexpected situations.
- ▶ **Dress properly. Do not wear loose clothing or jewellery. Keep your hair, clothing and gloves away from moving parts.** Loose clothes, jewellery or long hair can be caught in moving parts.
- ▶ **If devices are provided for the connection of dust extraction and collection facilities, ensure these are connected and properly used.** Use of dust collection can reduce dust-related hazards.

#### Power tool use and care

- ▶ **Do not force the power tool. Use the correct power tool for your application.** The correct power tool will do the job better and safer at the rate for which it was designed.
- ▶ **Do not use the power tool if the switch does not turn it on and off.** Any power tool that cannot be controlled with the switch is dangerous and must be repaired.
- ▶ **Disconnect the plug from the power source and/or the battery pack from the power tool before making any adjustments, changing accessories, or storing power tools.** Such preventive safety measures reduce the risk of starting the power tool accidentally.
- ▶ **Store idle power tools out of the reach of children and do not allow persons unfamiliar with the power tool or these instructions to operate the power tool.** Power tools are dangerous in the hands of untrained users.
- ▶ **Maintain power tools. Check for misalignment or binding of moving parts, breakage of parts and any other condition that may affect the power tool's operation. If damaged, have the power tool repaired before use.** Many accidents are caused by poorly maintained power tools.
- ▶ **Keep cutting tools sharp and clean.** Properly maintained cutting tools with sharp cutting edges are less likely to bind and are easier to control.
- ▶ **Use the power tool, accessories and tool bits etc. in accordance with these instructions, taking into account the working conditions and the work to be performed.** Use of the power tool for operations different from those intended could result in a hazardous situation.

#### Battery tool use and care

- ▶ **Recharge only with the charger specified by the manufacturer.** A charger that is suitable for one type of battery pack may create a risk of fire when used with another battery pack.
- ▶ **Use power tools only with specifically designated battery packs.** Use of any other battery packs may create a risk of injury and fire.

## 12 | English

- ▶ **When battery pack is not in use, keep it away from other metal objects, like paper clips, coins, keys, nails, screws or other small metal objects, that can make a connection from one terminal to another.** Shorting the battery terminals together may cause burns or a fire.
- ▶ **Under abusive conditions, liquid may be ejected from the battery; avoid contact. If contact accidentally occurs, flush with water. If liquid contacts eyes, additionally seek medical help.** Liquid ejected from the battery may cause irritation or burns.

**Service**

- ▶ **Have your power tool serviced by a qualified repair person using only identical replacement parts.** This will ensure that the safety of the power tool is maintained.

**Safety Warnings for Jigsaws and Sabre Saws**

- ▶ **Hold power tool by insulated gripping surfaces, when performing an operation where the cutting accessory may contact hidden wiring.** Cutting accessory contacting a live wire may make exposed metal parts of the power tool live and could give the operator an electric shock.
- ▶ **Keep hands away from the sawing range. Do not reach under the workpiece.** Contact with the saw blade can lead to injuries.
- ▶ **Apply the machine to the workpiece only when switched on.** Otherwise there is danger of kickback when the cutting tool jams in the workpiece.
- ▶ **Pay attention that the base plate 7 rests securely on the material while sawing.** A jammed saw blade can break or lead to kickback.
- ▶ **When the cut is completed, switch off the machine and then pull the saw blade out of the cut only after it has come to a standstill.** In this manner you can avoid kickback and can place down the machine securely.
- ▶ **Use only undamaged saw blades that are in perfect condition.** Bent or dull saw blades can break, negatively influence the cut, or lead to kickback.
- ▶ **Do not brake the saw blade to a stop by applying side pressure after switching off.** The saw blade can be damaged, break or cause kickback.
- ▶ **Use appropriate detectors to determine if utility lines are hidden in the work area or call the local utility company for assistance.** Contact with electric lines can lead to fire and electric shock. Damaging a gas line can lead to explosion. Penetrating a water line causes property damage.
- ▶ **Secure the workpiece.** A workpiece clamped with clamping devices or in a vice is held more secure than by hand.
- ▶ **Always wait until the machine has come to a complete stop before placing it down.** The tool insert can jam and lead to loss of control over the power tool.
- ▶ **Switch the machine off immediately when the saw blade blocks. Be prepared for high reaction torque that lead to kickback.** The saw blade blocks when:
  - the machine is subject to overload or
  - when it jams or locks-up in the workpiece.

- ▶ **Do not open the battery.** Danger of short-circuiting.



**Protect the battery against heat, e. g., against continuous intense sunlight, fire, water, and moisture.** Danger of explosion.

- ▶ **In case of damage and improper use of the battery, vapours may be emitted. Ventilate the area and seek medical help in case of complaints.** The vapours can irritate the respiratory system.
- ▶ **Use the battery only in conjunction with your Bosch power tool.** This measure alone protects the battery against dangerous overload.
- ▶ **Use only original Bosch batteries with the voltage listed on the nameplate of your power tool.** When using other batteries, e. g. imitations, reconditioned batteries or other brands, there is danger of injury as well as property damage through exploding batteries.

## Product Description and Specifications



**Read all safety warnings and all instructions.** Failure to follow the warnings and instructions may result in electric shock, fire and/or serious injury.

**Intended Use**

The machine is intended for separating cuts and cut-outs in wood, gypsum board, non-ferrous metals and plastic while resting firmly against the material being sawn. It is suitable for short cuts as well as for straight and curved cuts.

The light of this power tool is intended to illuminate the power tool's direct area of working operation and is not suitable for household room illumination

**Product Features**

The numbering of the product features refers to the illustration of the machine on the graphics page.

- 1 Battery unlocking button
- 2 Battery pack\*
- 3 On/Off switch
- 4 Lock-off button for On/Off switch
- 5 PowerLight
- 6 Handle (insulated gripping surface)
- 7 Base plate
- 8 Saw blade\*
- 9 SDS saw blade receptacle
- 10 Battery charge-control indicator

\*Accessories shown or described are not part of the standard delivery scope of the product. A complete overview of accessories can be found in our accessories program.

## Technical Data

Jigsaw and Sabre Saw		PST 10,8 LI
Article number		3 603 CB4 0..
Rated voltage	V=	10.8
Stroke rate at no load $n_0$	min <sup>-1</sup>	0 2 200
Tool holder		SDS
Stroke rate control		●
Stroke	mm	12
Max. cutting depth		
in wood	mm	30
in gypsum board	mm	24
in plastic	mm	10
in aluminium	mm	2
Weight according to EPTA-Procedure 01/2003	kg	1.1

## Noise/Vibration Information

Measured sound values determined according to EN 60745.

Typically the A-weighted noise levels of the product are:  
Sound pressure level 85 dB(A); Sound power level 96 dB(A).  
Uncertainty K = 3 dB.

### Wear hearing protection!

Vibration total values  $a_h$  (tri-ax vector sum) and uncertainty K determined according to EN 60745:

Cutting board:  $a_h = 6 \text{ m/s}^2$ ,  $K = 1.5 \text{ m/s}^2$ ,

Cutting sheet metal:  $a_h = 8 \text{ m/s}^2$ ,  $K = 1.5 \text{ m/s}^2$ .

The vibration emission level given in this information sheet has been measured in accordance with a standardised test given in EN 60745 and may be used to compare one tool with another. It may be used for a preliminary assessment of exposure.

The declared vibration emission level represents the main applications of the tool. However if the tool is used for different applications, with different accessories or poorly maintained, the vibration emission may differ. This may significantly increase the exposure level over the total working period.

An estimation of the level of exposure to vibration should also take into account the times when the tool is switched off or when it is running but not actually doing the job. This may significantly reduce the exposure level over the total working period.

Identify additional safety measures to protect the operator from the effects of vibration such as: maintain the tool and the accessories, keep hands warm, organise work patterns.


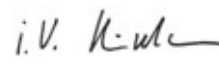
## Declaration of Conformity

We declare under our sole responsibility that the product described under Technical Data is in conformity with the following standards or standardisation documents: EN 60745 according to the provisions of the directives 2009/125/EC (Regulation 1194/2012), 2011/65/EU, 2004/108/EC, 2006/42/EC.

Technical file (2006/42/EC) at:  
Robert Bosch GmbH, PT/ETM9,  
D-70745 Leinfelden-Echterdingen

Dr. Egbert Schneider  
Senior Vice President  
Engineering

Helmut Heinzelmann  
Head of Product Certification  
PT/ETM9

 i.V. 

Robert Bosch GmbH, Power Tools Division  
D-70745 Leinfelden-Echterdingen  
Leinfelden, 11.03.2013

## Assembly

- **Before any work on the machine itself (e.g. maintenance, tool change, etc.) as well as during transport and storage, remove the battery from the power tool.**

There is danger of injury when unintentionally actuating the On/Off switch.

## Battery Charging

- **Use only the battery chargers listed on the accessories page.** Only these battery chargers are matched to the lithium ion battery of your power tool.

**Note:** The battery is supplied partially charged. To ensure full capacity of the battery, completely charge the battery in the battery charger before using your power tool for the first time.

The lithium ion battery can be charged at any time without reducing its service life. Interrupting the charging procedure does not damage the battery.

The battery is equipped with a NTC temperature control which allows charging only within a temperature range of between 0 °C and 45 °C. A long battery service life is achieved in this manner.

## Removing the battery

To remove the battery **2**, press the unlocking buttons **1** and pull the battery out of the machine to the rear. **Do not exert any force.**

## Replacing/Inserting the Saw Blade

- **When mounting the saw blade, wear protective gloves.**  
Danger of injury when touching the saw blade.

### Selecting a Saw Blade

Use only saw blades suitable for the material being worked.

Use only T-shank saw blades. The saw blade should not be longer than required for the intended cut.

Use a thin saw blade for narrow curve cuts.

- **Avoid skin contact when you want to replace a saw blade and wear protective gloves.** The saw blade can become hot during prolonged use.

### Inserting the Saw Blade (see figure A)

- **Clean the shank of the saw blade before inserting it.**  
An unclean shank cannot be fastened securely.

**Note:** The saw blade **8** can only be inserted when the SDS saw blade receptacle **9** is open.

For jigsawing, insert the saw blade **8** with the cutting direction toward the front; for sabre sawing, insert the saw blade with the cutting direction toward the rear. Slide it in the desired

## 14 | English

position to the stop in the SDS saw blade receptacle **9**, so that it can be heard to engage.

**Note:** If you cannot insert the saw blade **8**, check if the SDS saw blade receptacle **9** is open. To open, press the SDS saw blade receptacle **9** in the direction of the arrow.

- ▶ **Check the tight seating of the saw blade.** A loose saw blade can fall out and lead to injuries.

### Ejecting the Saw Blade (see figure B)

- ▶ **When ejecting the saw blade, hold the machine in such a manner that no persons or animals can be injured by the ejected saw blade.**

Press the SDS saw blade receptacle **9** in the direction of the arrow. The saw blade is released and ejected.

### Dust/Chip Extraction

- ▶ Dusts from materials such as lead-containing coatings, some wood types, minerals and metal can be harmful to one's health. Touching or breathing-in the dusts can cause allergic reactions and/or lead to respiratory infections of the user or bystanders. Certain dusts, such as oak or beech dust, are considered as carcinogenic, especially in connection with wood-treatment additives (chromate, wood preservative). Materials containing asbestos may only be worked by specialists.

Provide for good ventilation of the working place.

It is recommended to wear a P2 filter-class respirator.

Observe the relevant regulations in your country for the materials to be worked.

- ▶ **Prevent dust accumulation at the workplace.** Dusts can easily ignite.

## Operation

### Starting Operation

#### Inserting the battery

- ▶ **Use only original Bosch lithium ion batteries with the voltage listed on the nameplate of your power tool.** Using other batteries can lead to injuries and pose a fire hazard.

**Note:** Use of batteries not suitable for the machine can lead to malfunctions of or cause damage to the power tool.

Insert the charged battery **2** into the handle until it can be felt to engage and faces flush against the handle.

#### Switching On and Off

To **switch on** the power tool, **first** press the lock-off button **4** right or left. **Then** press the On/Off switch **3** and keep it pressed.

The power light **5** lights up when the On/Off switch **3** is slightly or completely pressed, and allows the work area to be illuminated when lighting conditions are insufficient.

To **switch off** the power tool, release the On/Off switch **3**.

To save energy, only switch the power tool on when using it.

The lithium ion battery is protected against deep discharging by the Electronic Cell Protection (ECP). When the battery is empty, the power tool is switched off by means of a protective circuit: The inserted tool no longer moves.

- ▶ **Do not continue to press the On/Off switch after the machine has been automatically switched off.** The battery can be damaged.

### Controlling the Stroke Rate

Increasing or reducing the pressure on the On/Off switch **3** enables stepless stroke-rate control of the switched-on machine. The required stroke rate is dependent on the material and the working conditions and can be determined by a practical trial. Reducing the stroke rate is recommended when the saw blade engages in the material as well as when sawing plastic and aluminium.

After longer periods of work at low stroke rate, the machine can heat up considerably. Remove the saw blade from the machine and allow the machine to cool down by running it for approx. 3 minutes at maximum stroke rate.

### Battery Charge-control Indication

The battery charge-control indicator **10** indicates the charge condition of the battery for a few seconds when the On/Off switch **3** is pressed half or fully through. It consists of a three-colour illuminating LED.

LED	Capacity
Continuous lighting, green	66 %
Continuous lighting, orange	33 66 %
Continuous lighting, red	33 %

### Working Advice

- ▶ **Before any work on the machine itself (e.g. maintenance, tool change, etc.) as well as during transport and storage, remove the battery from the power tool.**

There is danger of injury when unintentionally actuating the On/Off switch.

- ▶ **When working small or thin workpieces, always use a stable support or a saw station.**

For precise work, the power tool can be used as a jigsaw; for coarse and swift cuts, it can be used as a sabre saw. For jigsawing, mount the saw blade with the cutting direction toward the front; for sabre sawing, mount the saw blade with the cutting direction toward the rear.

Saw with moderate pressure in order to achieve optimal and precise cutting results.

For long and straight cuts in thick wood, the cutting line can become inaccurate. In this case, using a Bosch circular saw is recommended to achieve accurate cuts.

### Plunge Cutting (see figure C)

- ▶ **Plunge cuts may only be applied to materials such as softwood, gypsum board, etc.!**

Use only short saw blades for plunge cutting.

Place the machine with the front edge of the base plate **7** on to the workpiece without the saw blade **8** touching the workpiece and switch on. For machines with stroke rate control, select the maximum stroke rate. Firmly hold the machine against the workpiece and by tilting the machine, slowly plunge the saw blade into the workpiece.

When the base plate **7** fully lays on the workpiece, continue sawing along the desired cutting line.

**Sabre Sawing (see figure D)**

► **When sawing light building materials, observe the statutory provisions and the recommendations of the material suppliers.**

► **When sawing, the base plate 7 must always faces against the workpiece.** The saw blade can become wedged and lead to loss of control over the machine.

Check wood, press boards, building materials, etc. for foreign objects such as nails, screws or similar, and remove them, if required.

Switch the machine on and guide it toward the workpiece. Position the base plate 7 onto the surface of the work and saw through the material applying uniform contact pressure and feed. After completing the working procedure, switch the machine off.

If the saw blade should jam, switch the machine off immediately. Widen the gap somewhat with a suitable tool and pull out the machine.

**Coolant/Lubricant**

When sawing metal, coolant/lubricant should be applied alongside cutting line because of the material heating up.

**Temperature-dependent Overload Protection**

When using the machine as intended for, it cannot be subject to overload. In case of excessive loading or when exceeding the permitted battery temperature range of 0–70 °C, the machine switches off. In case of automatic shut-off, switch the machine off, allow the battery pack to cool down and then switch the machine on again.

**Recommendations for Optimal Handling of the Battery**

Protect the battery against moisture and water.

Store the battery only within a temperature range between 0 °C and 50 °C. As an example, do not leave the battery in the car in summer.

A significantly reduced working period after charging indicates that the battery is used and must be replaced.

Observe the notes for disposal.

**Maintenance and Service****Maintenance and Cleaning**

► **Before any work on the machine itself (e. g. maintenance, tool change, etc.) as well as during transport and storage, remove the battery from the power tool.**

There is danger of injury when unintentionally actuating the On/Off switch.

► **For safe and proper working, always keep the machine and ventilation slots clean.**

Clean the SDS saw blade receptacle 9 regularly. For this, remove the saw blade from the power tool and lightly tap out the power tool on a level surface.

Heavy contamination of the machine can lead to malfunctions. Therefore, do not saw materials that produce a lot of dust from below or overhead.

**After-sales Service and Application Service**

Our after-sales service responds to your questions concerning maintenance and repair of your product as well as spare parts. Exploded views and information on spare parts can also be found under:

**www.bosch-pt.com**

Bosch's application service team will gladly answer questions concerning our products and their accessories.

In all correspondence and spare parts order, please always include the 10-digit article number given on the type plate of the machine.

**Great Britain**

Robert Bosch Ltd. (B.S.C.)

P.O. Box 98

Broadwater Park

North Orbital Road

Denham

Uxbridge

UB 9 5HJ

Tel. Service: (0844) 7360109

Fax: (0844) 7360146

E-Mail: boschservicecentre@bosch.com

**Ireland**

Origo Ltd.

Unit 23 Magna Drive

Magna Business Park

City West

Dublin 24

Tel. Service: (01) 4666700

Fax: (01) 4666888

**Australia, New Zealand and Pacific Islands**

Robert Bosch Australia Pty. Ltd.

Power Tools

Locked Bag 66

Clayton South VIC 3169

Customer Contact Center

Inside Australia:

Phone: (01300) 307044

Fax: (01300) 307045

Inside New Zealand:

Phone: (0800) 543353

Fax: (0800) 428570

Outside AU and NZ:

Phone: +61 3 95415555

www.bosch.com.au

**Republic of South Africa****Customer service**

Hotline: (011) 6519600

**Gauteng – BSC Service Centre**

35 Roper Street, New Centre

Johannesburg

Tel.: (011) 4939375

Fax: (011) 4930126

E-Mail: bsctools@icon.co.za